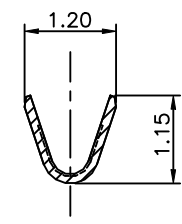
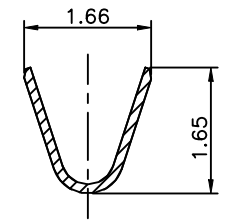
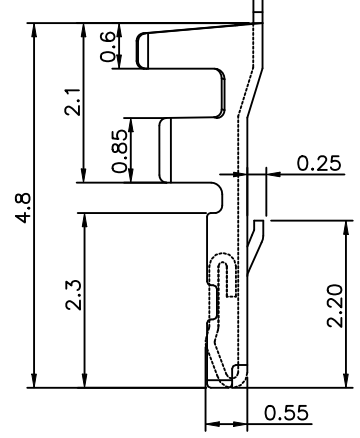
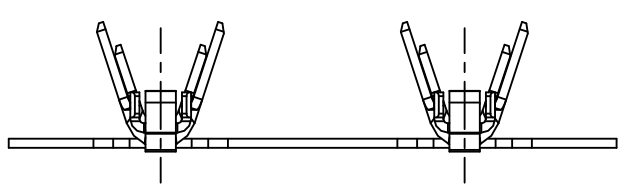


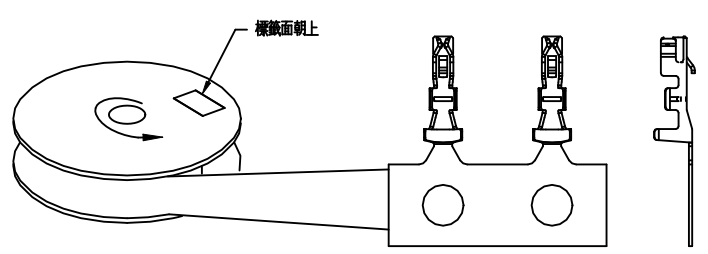
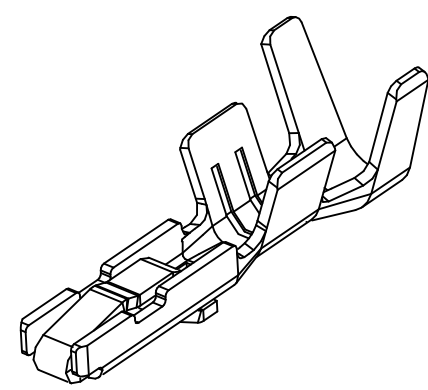
NOTES:
 1. MATERIAL: PHOSPHOR BRONZE C5210, THICKNESS 0.12±0.01.
 2. SURFACE TREATMENT: PURE TIN, 40u" MIN
 3. SPEC. PLS. REFER TO PS-51451-XXXXX-XXX
 4. HOUSING P/N: 71206-XXXHXXX-XXX
 5. PART NUMBER

51452-T X X X-001
 TYPE ——— PLATING
 0: NONE L: PURE TIN
 2: GOLD FLASH
 A: 3u" GOLD FLASH
 MATERIAL
 2: C5210



SECTION X-X

SECTION Y-Y



QUALITY SYMBOLS MAJOR CRITICAL GENERAL TOLERANCES (UNLESS SPECIFIED) X. ±0.5 .X ±0.25 .XX ±0.15 .XXX ±0.1 ANGLES ±2°	DRAWN BY Wan.Bo	DATE 22/10/20	
	CHECKED BY XUZHUYONG	DATE 22/10/20	
	APPROVED BY XUZHUYONG	DATE 22/10/20	SIZE A4
	UNITS mm		RFQ NO. NA
	SCALE 1:1	SHEET NO. 1 OF 1	REV D
			DWG NO. 51452-TXXX-XXX